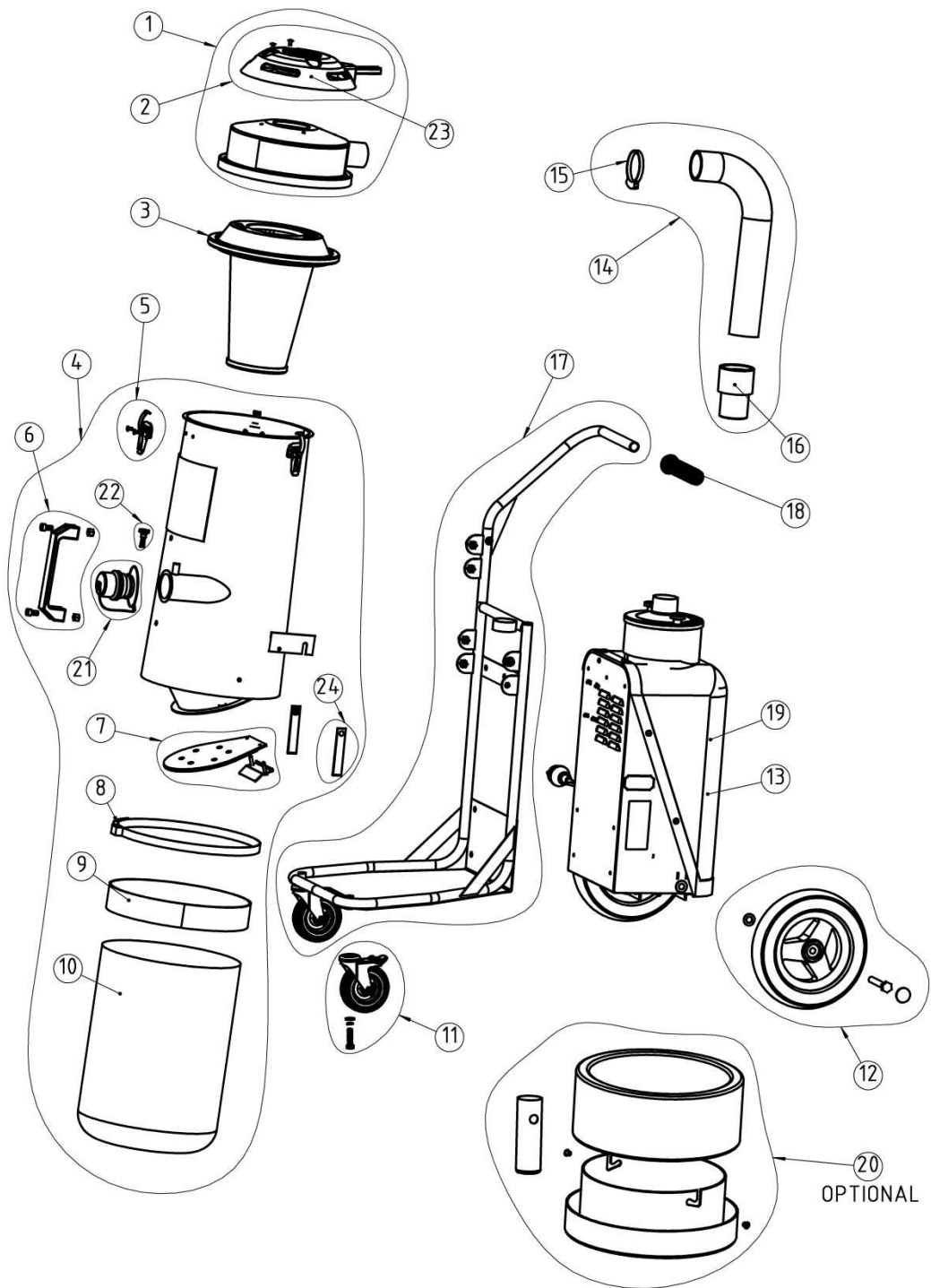


S13 230V, S13 120V

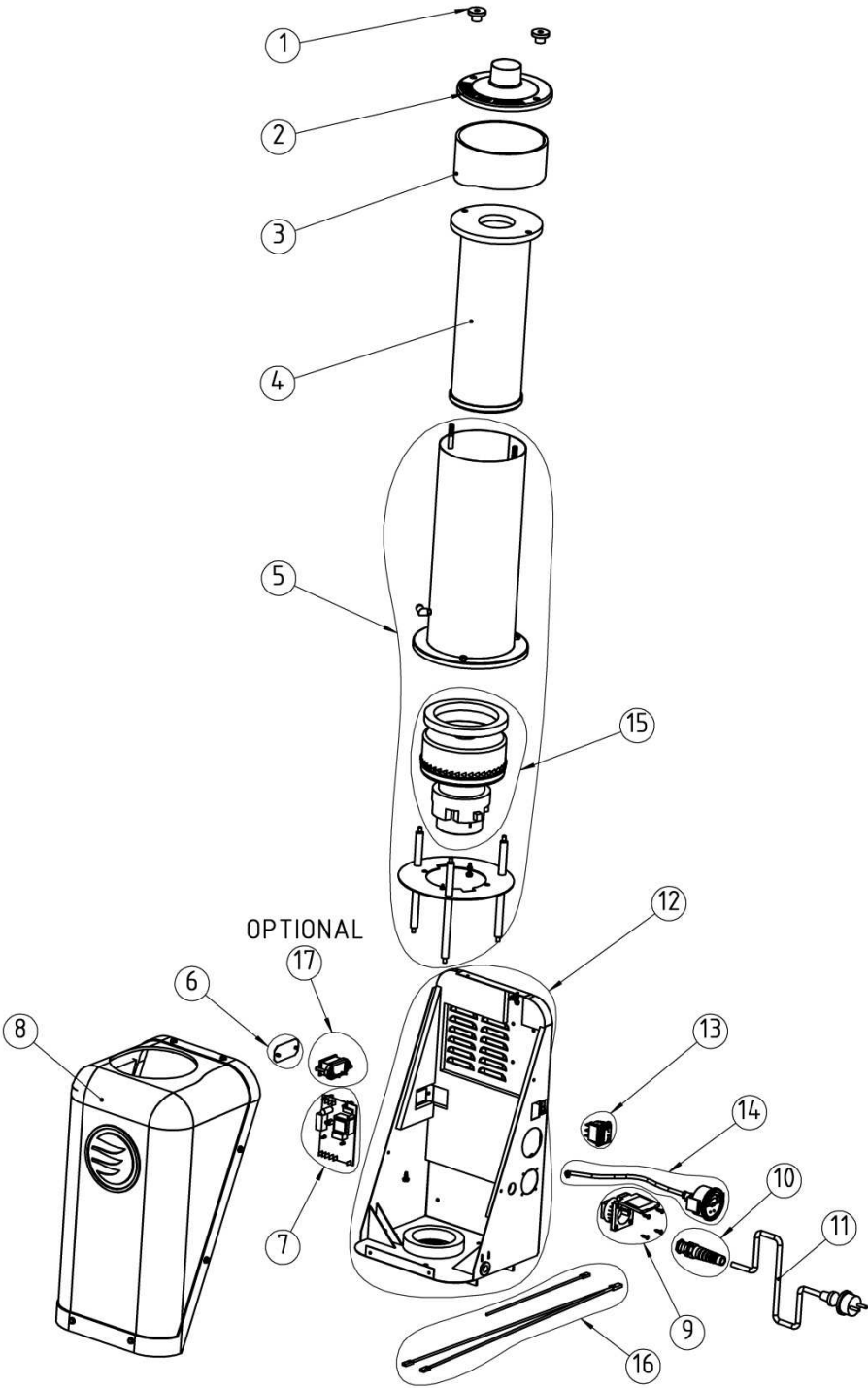
EXPLODED VIEW



| ITEM NO. | QTY. | PART NUMBER | DESCRIPTION |
|-----------------|-------------|--------------------|--|
| 1 | 1 | 201000117 | TOP COVER ASSEMBLY PACKING (ex.S13) |
| 2 | 1 | 201000118 | CLEAN UNIT KIT |
| 3 | 1 | 201000016 | FILTER |
| 4 | 1 | 201000119 | TANK COMPLETE (ex.S13) |
| 5 | 3 | 200600799 | HOLDER KIT |
| 6 | 1 | 201000120 | HANDLE KIT |
| 7 | 1 | 201000116 | FLAP ASSEMBLY KIT |
| 8 | 1 | 201100140 | BELT PACKING |
| 9 | 1 | 201100141 | ANTI-SKID PACKING |
| 10 | 1 | 12760008 | PLASTIC BAG 25PACK |
| 11 | 1 | 200800152 | FRONT WHEEL KIT |
| 12 | 1 | 200800151 | REAR WHEEL KIT |
| 13 | 1 | 201100146 | ENGINE PACK 230V PACKING |
| 14 | 1 | 201000123 | HOSE KET S13 PACKING |
| 15 | 1 | 201100137 | HOSE CLAMP60-65MM PACKING |
| 16 | 1 | 201100125 | HOSE END A51B PACKING |
| 17 | 1 | 201000124 | WAGON COMPLETE PACKING |
| 18 | 1 | 201100138 | HANDLE WAGON (ex. S13) PACKING |
| 19 | 1 | 201100146a | ENGINE PACK 120V PACKING |
| 20 | 1 | 201000115 | LONGOPAC KIT PACKING |
| 21 | 1 | 201000122 | INLET SEAL COMPLETE SET PACKING |
| 22 | 1 | 201100139 | LOCKING DEVICE PACKING |
| 23 | 1 | 201000670 | TOP COVER KIT ex. CLEAN UNIT |
| 24 | 1 | 201500174 | BELT HOLDER KIT (ex.S13) |

S13 230V

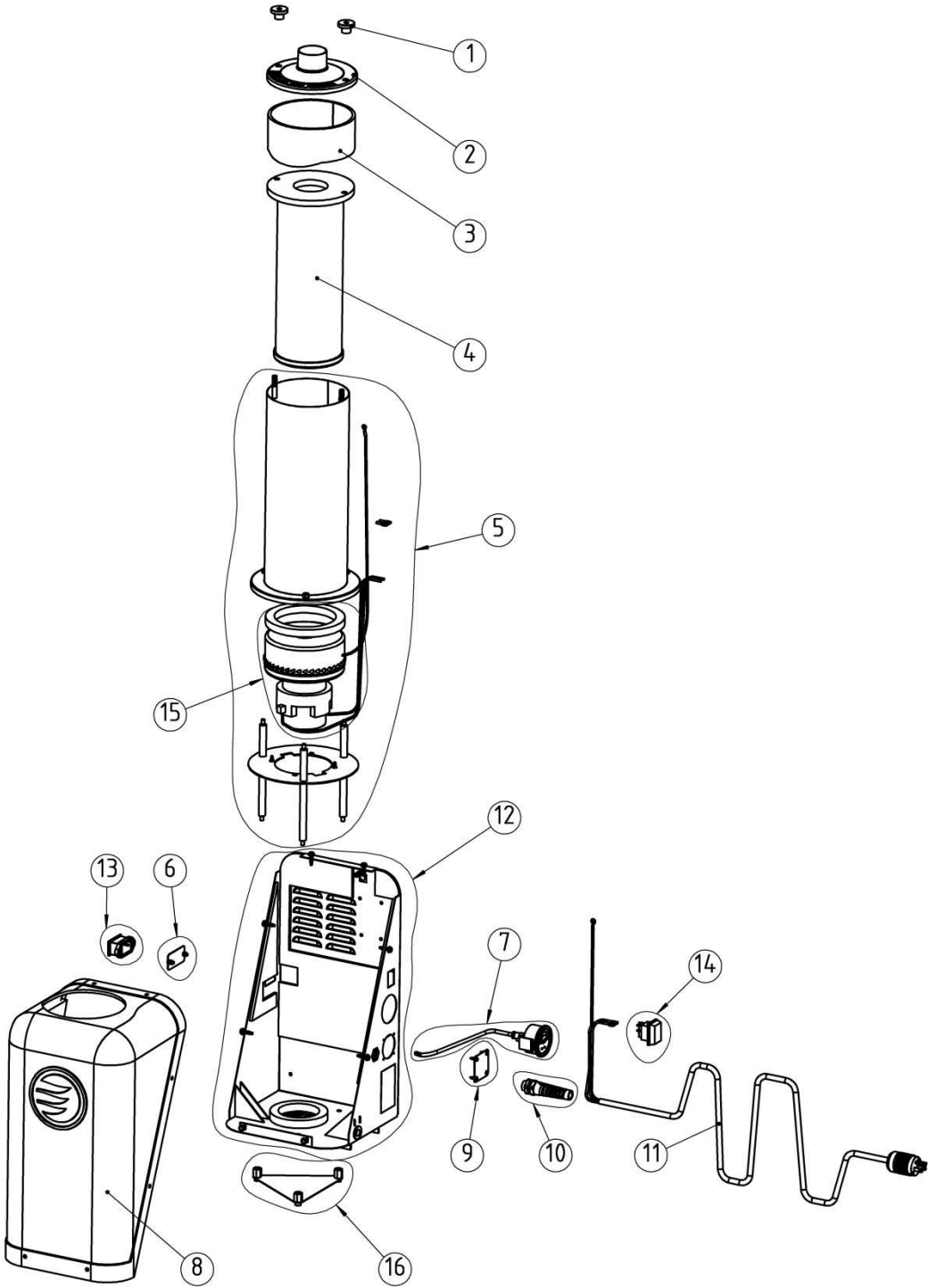
MOTOR PACKAGE



| POS. | QTY | NUMBER | DESCRIPTION |
|-------------|------------|------------------|---|
| 1 | 2 | 201100128 | NUT |
| 2 | 1 | 201000121 | FILTER COVER KIT |
| 3 | 1 | 201100127 | SEALING PACKING |
| 4 | 1 | 200700070 | HEPA FILTER S-LINE |
| 5 | 1 | 201100144 | ENGINE TUBE KIT (WITH NIPPLE) PACKING |
| 6 | 1 | 201100129 | COUNTER COVER PACKING |
| 7 | 1 | 201000764 | CIRCUIT BOARD KIT |
| 8 | 1 | 200600482 | ENGINE COVER, KIT |
| 9 | 1 | 200600408 | ELECTRICAL OUTLET KIT |
| 10 | 1 | 201000141 | CABLE FIX KIT (PG11) |
| 11 | 1 | 201100132 | CORD SET PACKING |
| 12 | 1 | 201000134 | CHASSI COMPLETE KIT |
| 13 | 1 | 201100236 | SWITCH PACKING |
| 14 | 1 | 200700413 | MANOMETER, KIT |
| 15 | 1 | 200800060 | MOTOR KIT 230V KIT |
| 16 | 1 | 201100147 | CABLE KIT (ex.S13) |
| 17 | 1 | 201000133 | COUNTER KIT (OPTIONAL S13) |

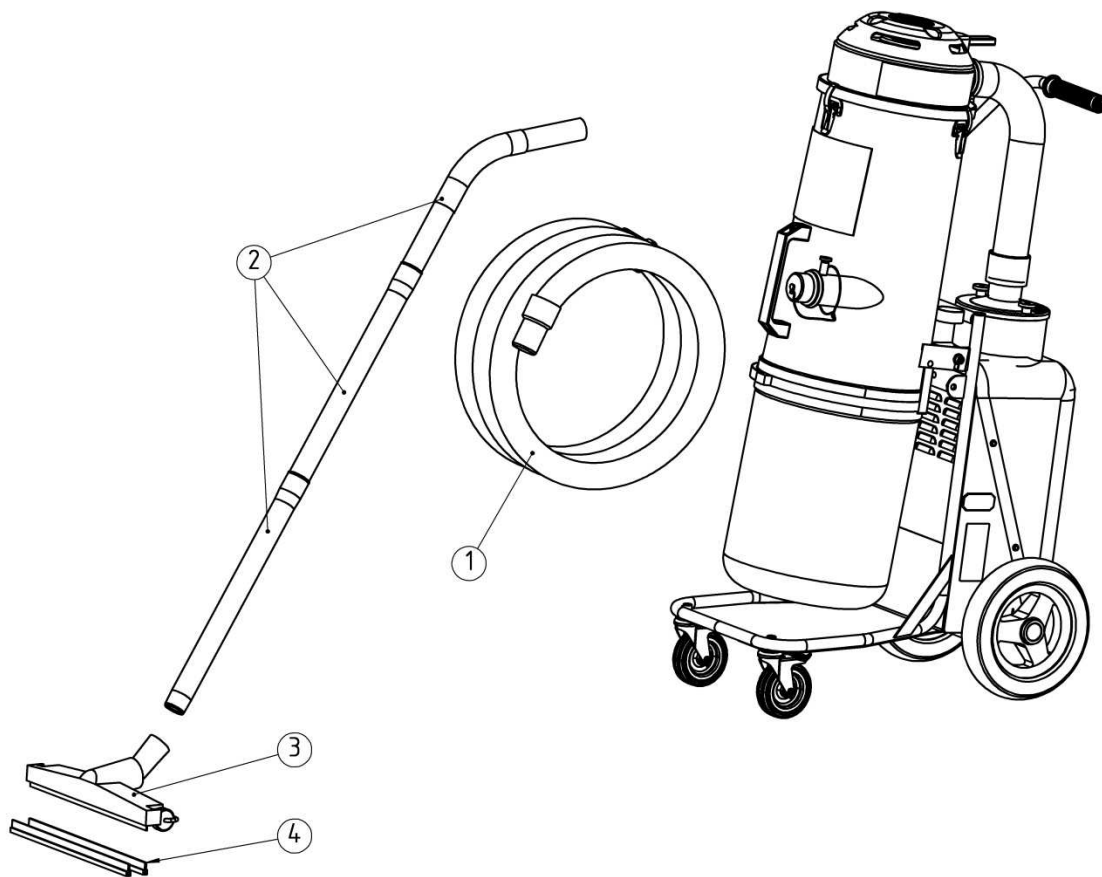
S13 120V

MOTOR PACKAGE



| POS. | QTY | NUMBER | DESCRIPTION |
|-------------|------------|-------------------|--|
| 1 | 2 | 201100128 | NUT |
| 2 | 1 | 201000121 | FILTER COVER KIT |
| 3 | 1 | 201100127 | SEALING PACKING |
| 4 | 1 | 200700070a | HEPA FILTER S-LINE USA |
| 5 | 1 | 201100144a | ENGINE TUBE KIT (WITH NIPPLE) PACKING US |
| 6 | 1 | 201100129a | COUNTER COVER PACKING(STEEL VERSION) |
| 7 | 1 | 200700413 | MANOMETER, KIT |
| 8 | 1 | 200600482a | ENGINE COVER ETL VERSION, KIT |
| 9 | 1 | 201100148a | OUTLET COVER KIT (STEEL VERSION) |
| 10 | 1 | 201100150 | CABLE FIX KIT (PG13) |
| 11 | 1 | 201500176 | CORD SET PACKING (NEMA 5-15P) |
| 12 | 1 | 201000134a | CHASSI ETL VERSION COMPLETE KIT |
| 13 | 1 | 201000133 | COUNTER KIT (OPTIONAL S13) |
| 14 | 1 | 201100151 | SWITCH PACKING 120V |
| 15 | 1 | 200800227 | MOTOR KIT 120V 1200W KIT |
| 16 | 1 | 201500175 | BOTTOM COVER KIT |

ACCESSORIES S13



| POS. | QTY | NUMBER | DESCRIPTION |
|------|-----|-----------|---------------------|
| 1 | 1 | 200900281 | HOSE 38mm x 4m |
| 2 | 1 | 6324034 | KC004 SUCTION PIPE |
| 3 | 1 | 1326054 | GRD370 FLOOR TOOL |
| 4 | 1 | 1340011 | D370A RUBBER BLADES |